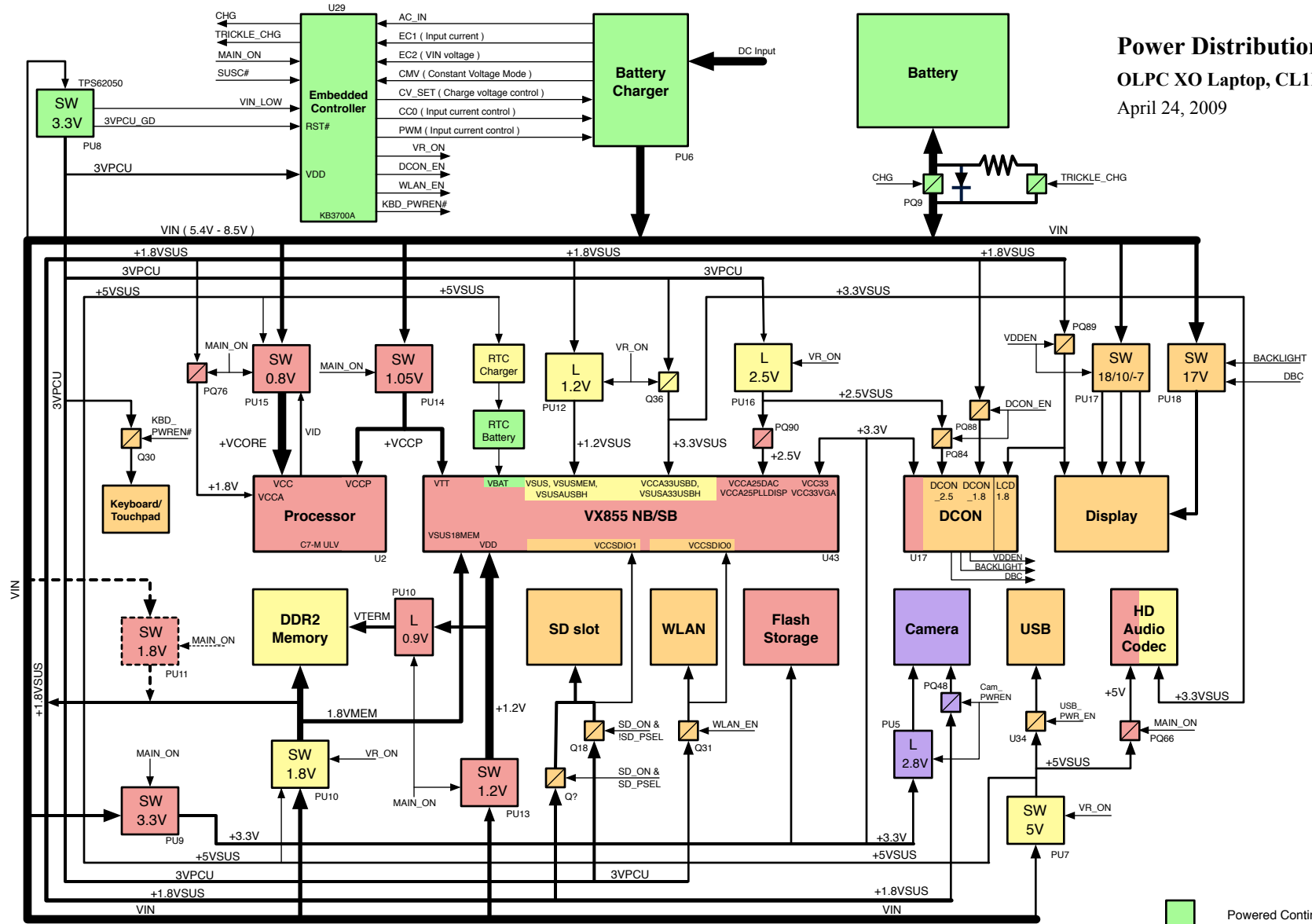


Power Distribution

OLPC XO Laptop, CL1B version
April 24, 2009



Only power and power control signals shown

The MAIN_ON, SUSC#, Cam_PWREN, USB_PWR_EN, SD_ON, and SD_PSEL signals come from the VX855

PU11 is only used if PU10 (VMEM) is 1.5V instead of 1.8V

Key

- SW x.xV Switching Voltage Regulator
- L x.xV Linear Voltage Regulator
- Switch (Bipolar or MOSFET)

- Powered Continuously
- Powered in Suspend and Run
- Optionally Powered in Suspend or Run
- Powered when Running
- Optionally Powered when Running